

---

# **EE434**

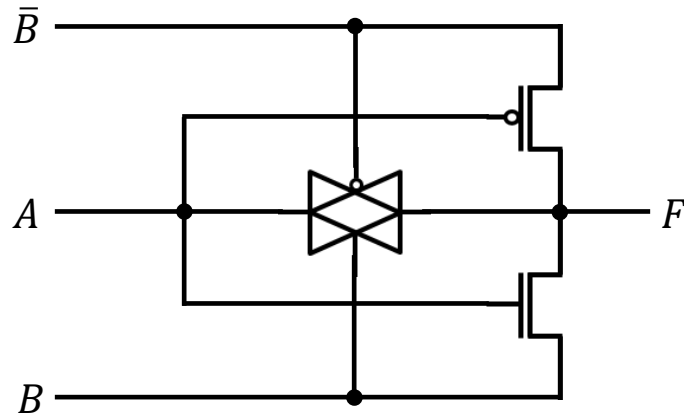
# **ASIC & Digital Systems**

Spring 2016  
Dae Hyun Kim  
daehyun@eecs.wsu.edu

# Static CMOS Gates

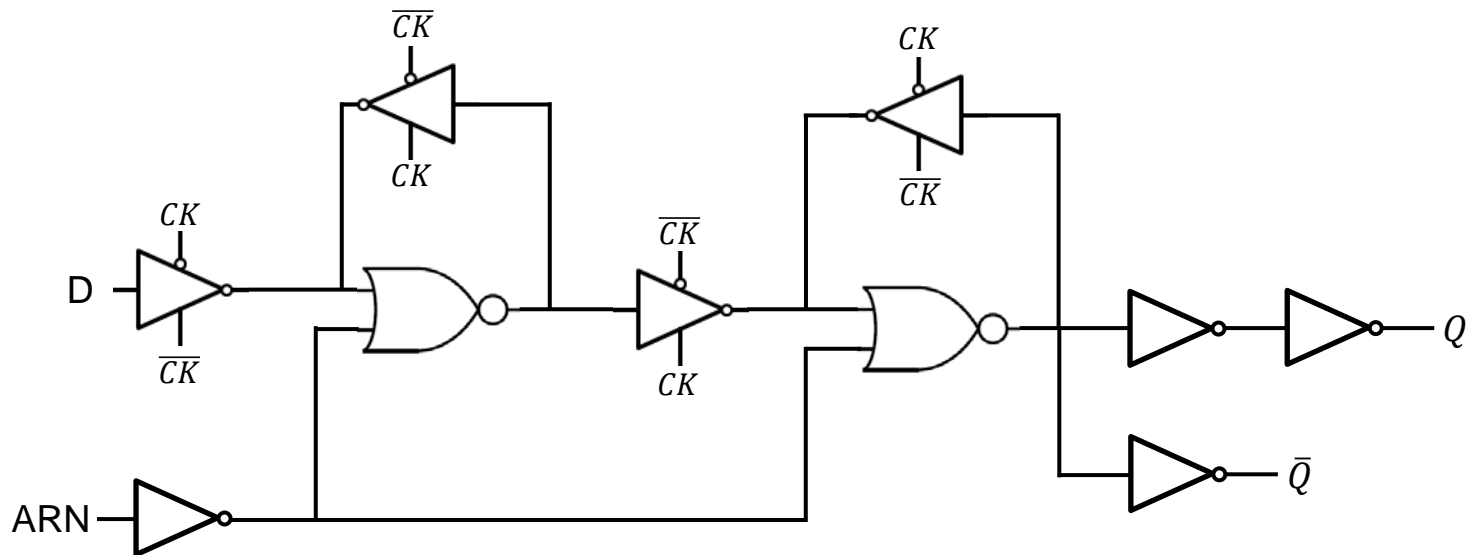
---

- Represent  $F$  as a function of the inputs.



# Static CMOS Gates

- Describe the function of the following circuit in as much detail as possible.



# Transistor Sizing

---

- Non-optimal sizing
- Optimal sizing

# Power Consumption

---

# Problems

---

- Elmore Delay
- DC & Switching Characteristics
  
- Dynamic CMOS
- Pseudo-NMOS
- Transmission Gates
- Pass Transistor
- Static CMOS Gates
- Domino Logic