
EE434
ASIC & Digital Systems

Lab 3

Design of a Switch Block for FPGA

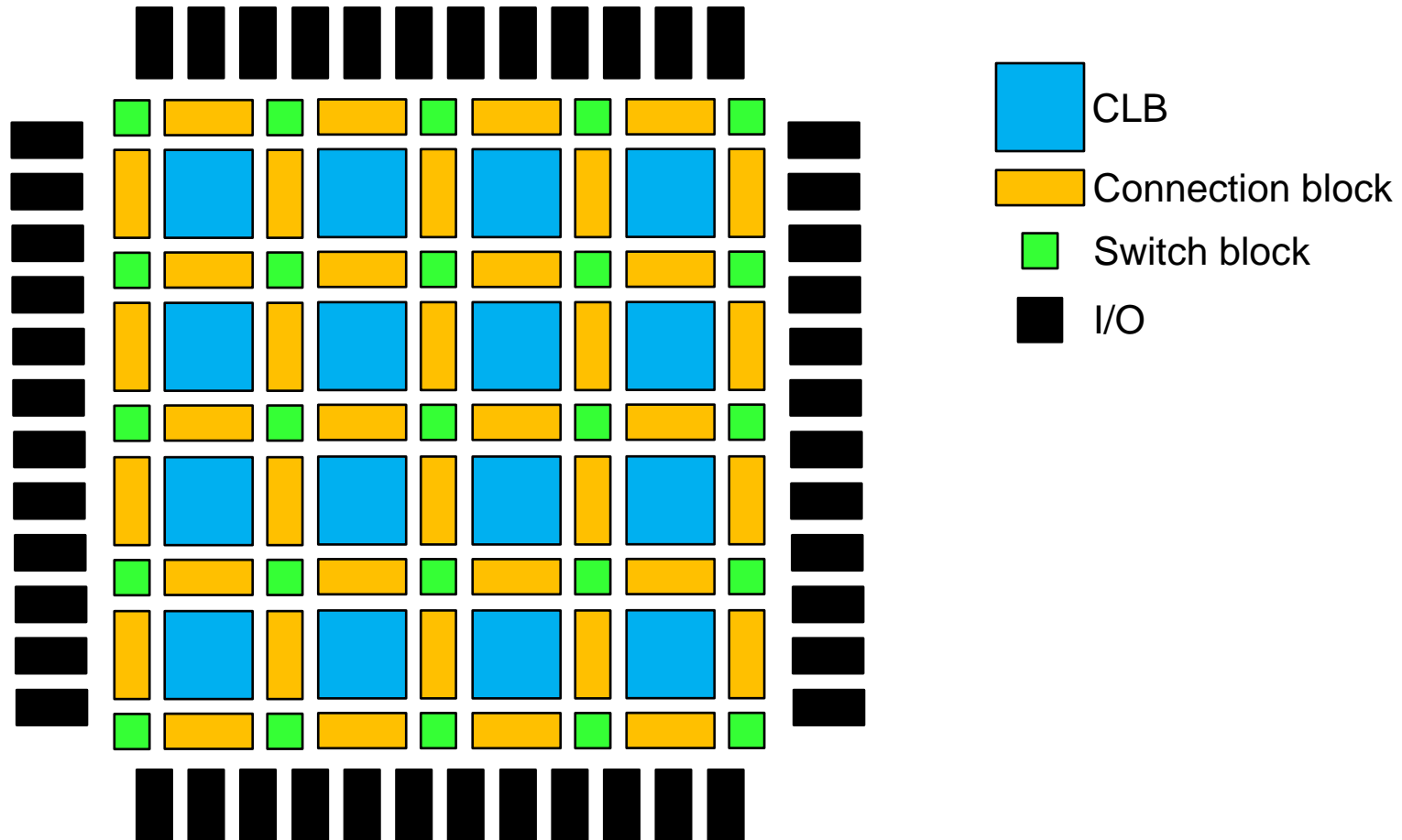
Spring 2015
Dae Hyun Kim
daehyun@eecs.wsu.edu

Lab 3

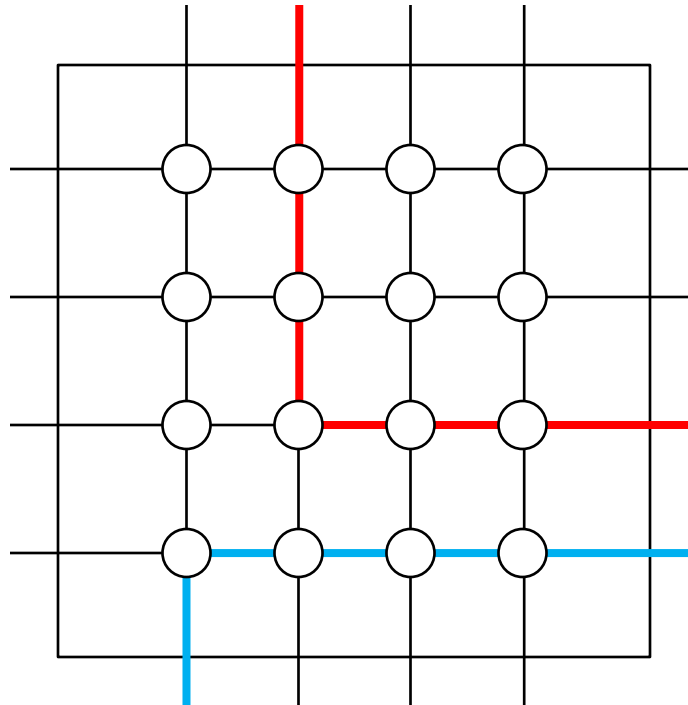
- Due Apr. 24 (firm)

FPGA

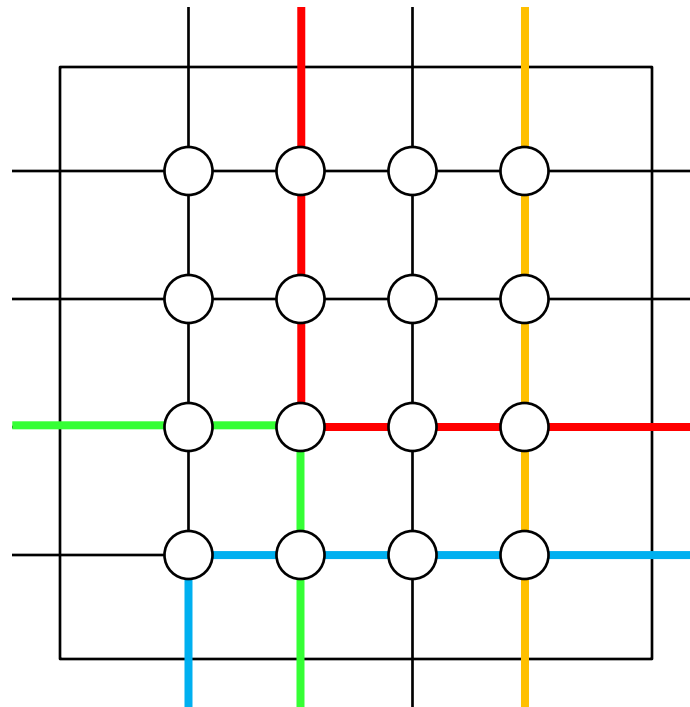
- Reconfigurable logic



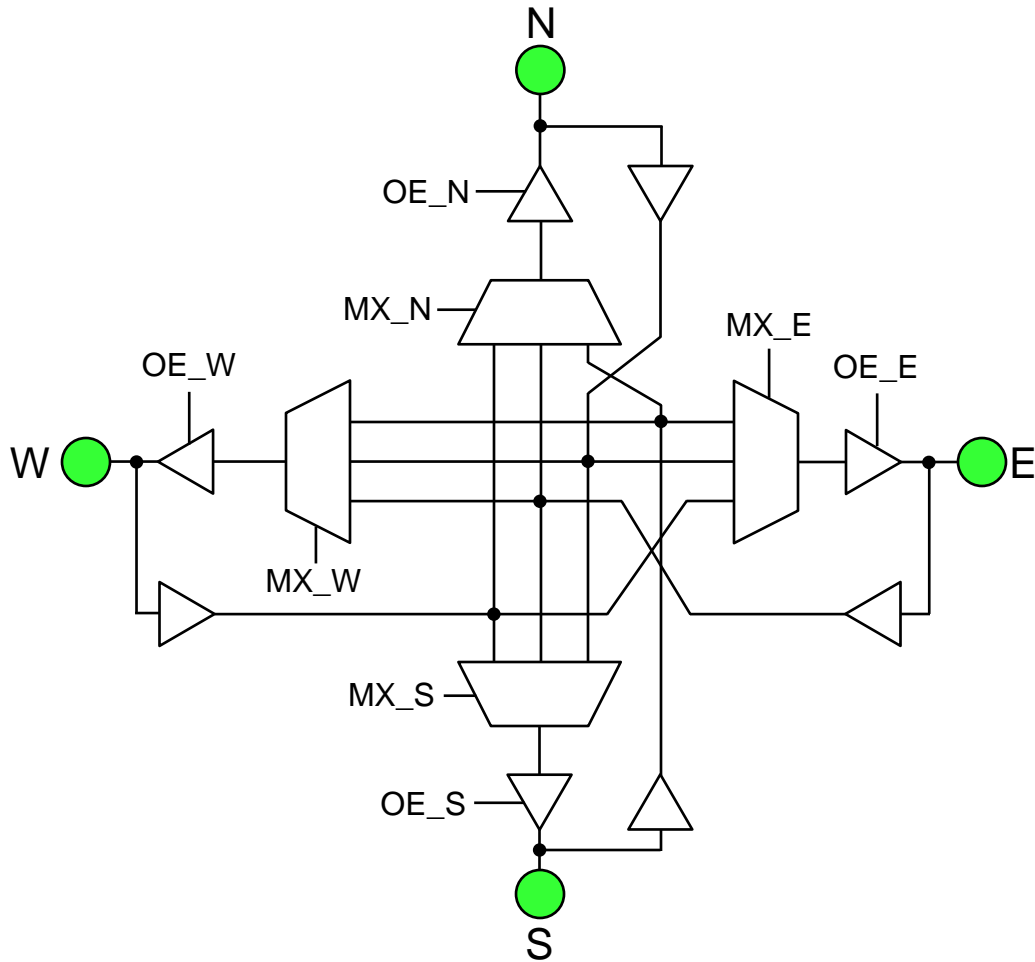
Connection Block



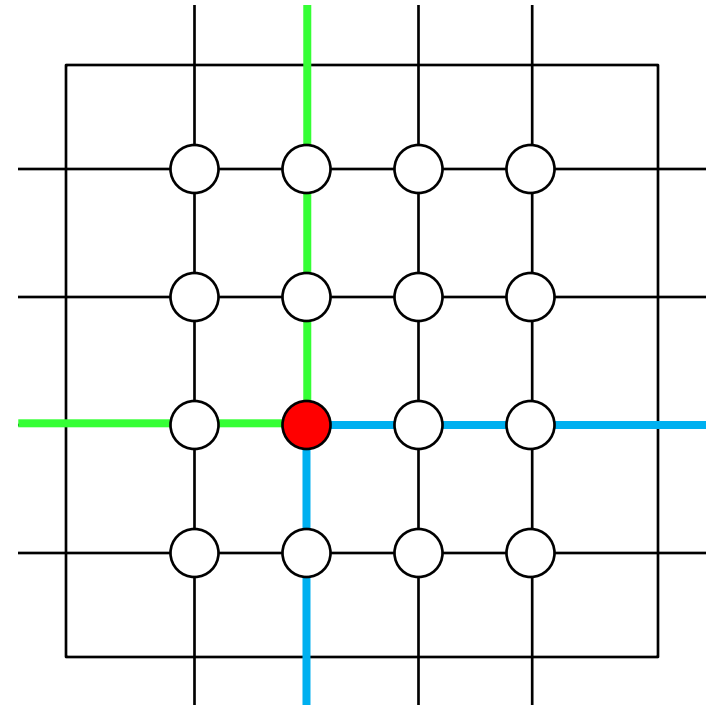
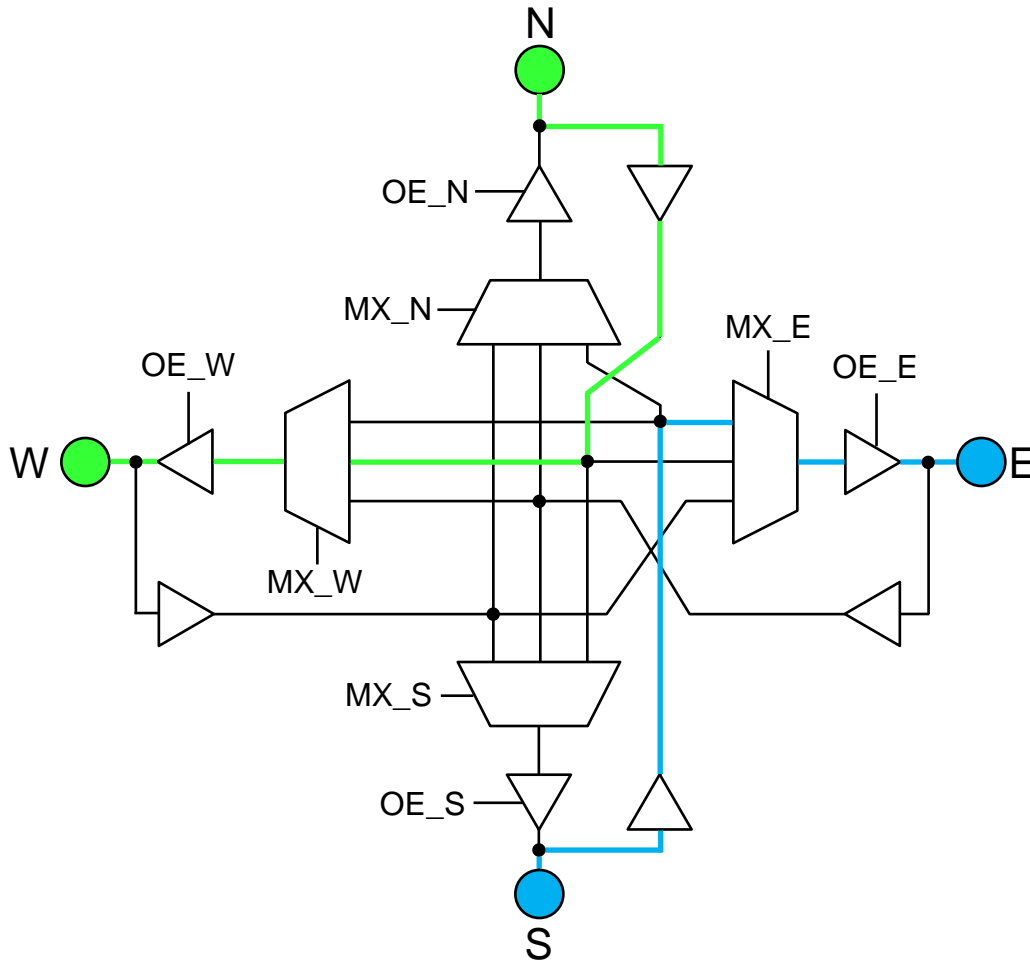
Switch Block



Switch Block



Switch Block



Inputs and Outputs

- Four primary inouts
- 12 control signals
 - Four output enable (OE_X) signals
 - Eight mux_control signals (two for each mux)

How to Proceed

1. Conceptually design the switch block.
2. Design each sub block (SPICE netlist).
3. Create a top-level SPICE netlist.
 1. Instantiate the sub-blocks.
 2. Apply test input vectors.
 3. Obtain worst-case rise and fall delays.

Simulation

- Notice that each primary inout pin (NSEW) is bidirectional.
- Therefore, you should attach a load cap (10fF) at each primary inout pin if it is used for output.
- You should apply a proper input signal waveform to each primary inout pin if the it is used for input.

Spec

- Rise delay, Fall delay: $\leq 1000\text{ps}$
- Total power: $\leq 400\mu\text{W}$
- Input transition time (10% - 90%) for simulation: 50ps

Submit

- SPICE netlists.
- Worst-case rise and fall delays
- Worst-case power consumption
- Description of how you designed the switching structure and each sub block.