

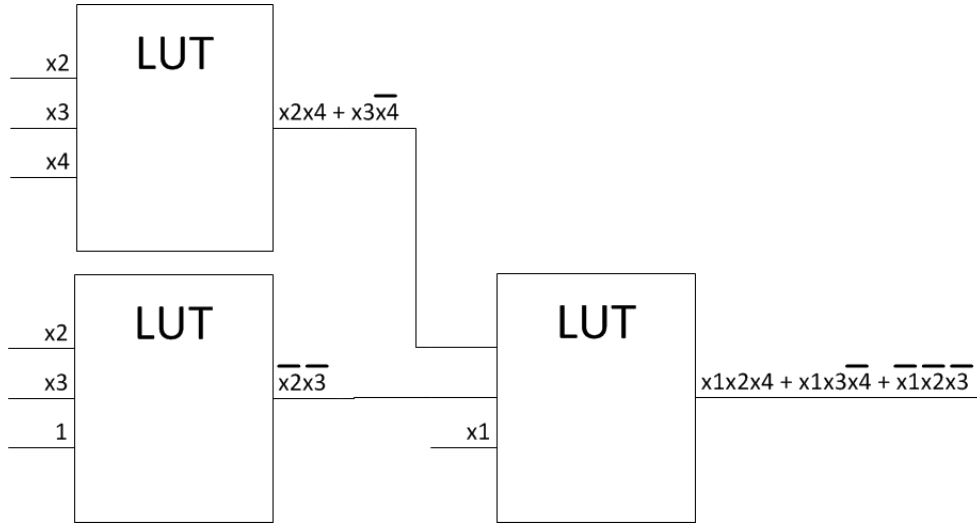
Solutions to HW3

(1) Note that:

$$f = x_1x_2x_4 + x_1x_3\bar{x}_4 + \bar{x}_1\bar{x}_2\bar{x}_3$$

$$f = x_1(x_2x_4 + x_3\bar{x}_4) + \bar{x}_1(\bar{x}_2\bar{x}_3)$$

$$f = x_1g + \bar{x}_1h, \text{ where } g = x_2x_4 + x_3\bar{x}_4 \text{ and } h = \bar{x}_2\bar{x}_3$$

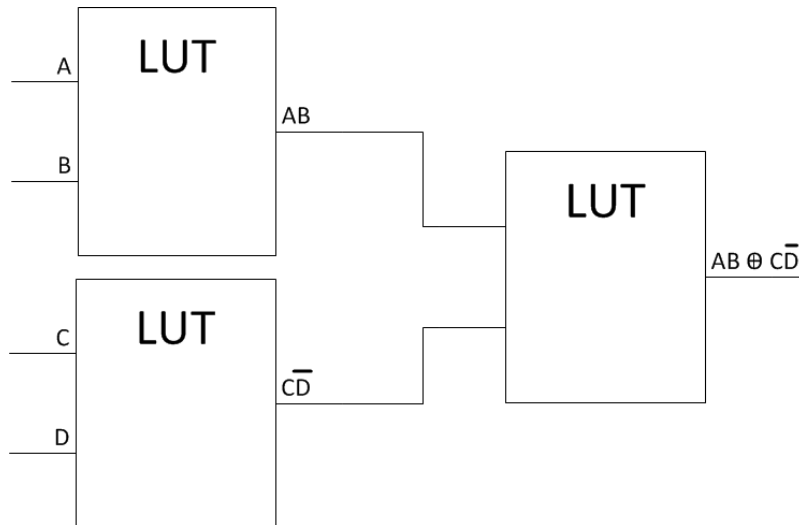


(2) Note that:

$$F = ABC + \bar{A}C\bar{D} + ABD + \bar{B}C\bar{D}$$

$$F = AB(\bar{C} + D) + (\bar{A} + \bar{B})C\bar{D}$$

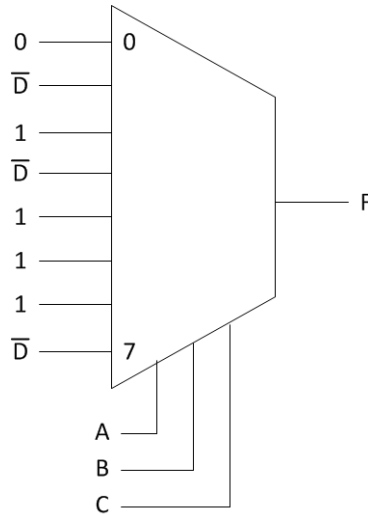
$$F = AB \oplus C\bar{D}$$



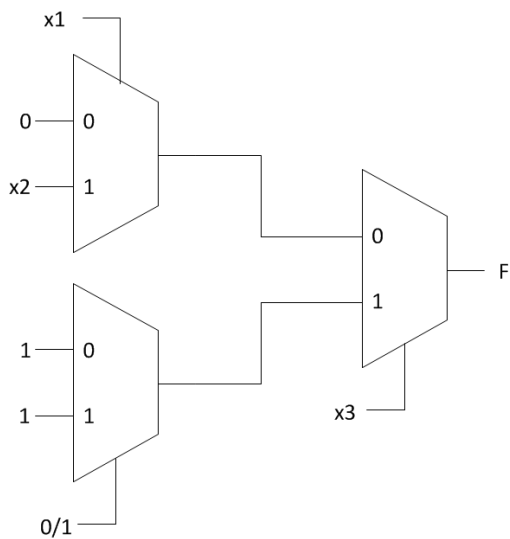
(3) Hard Macro: Specifies how logic elements are **physically** interconnected and placed.

Soft Macro: Only **logical** interconnection is specified.

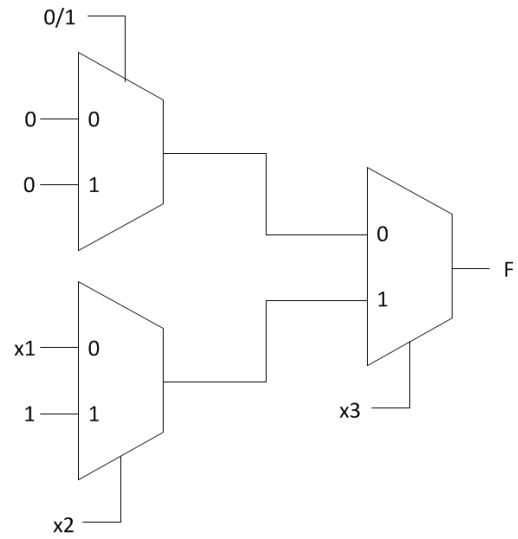
(4) $F = A\bar{B} + B\bar{C} + C\bar{D}$



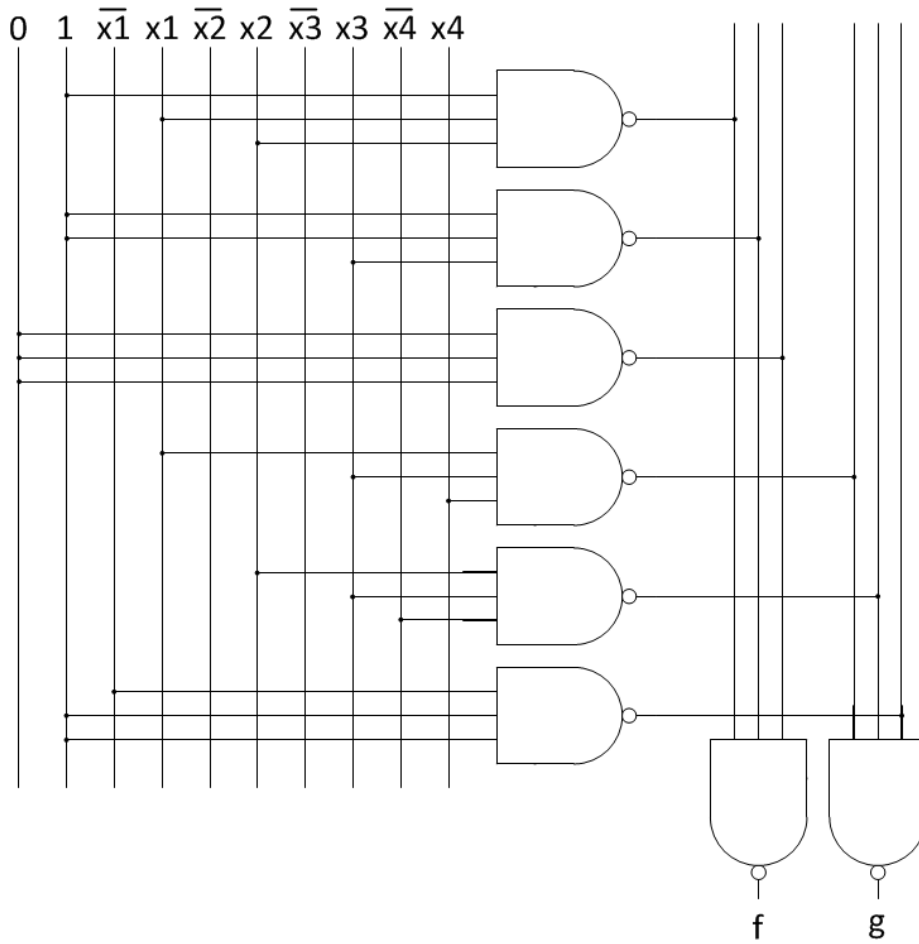
(5) $F = X_1 \cdot X_2 + X_3$



$F = X_1 \cdot X_3 + X_2 \cdot X_3 \Rightarrow X_3(X_1 + X_2)$



(6) $f = x_1x_2 + x_3$
 $g = x_1x_3x_4 + x_2x_3x_4 + x_1$



(7) $F = A \oplus B \oplus C$
 $G = A + \bar{B}C$

