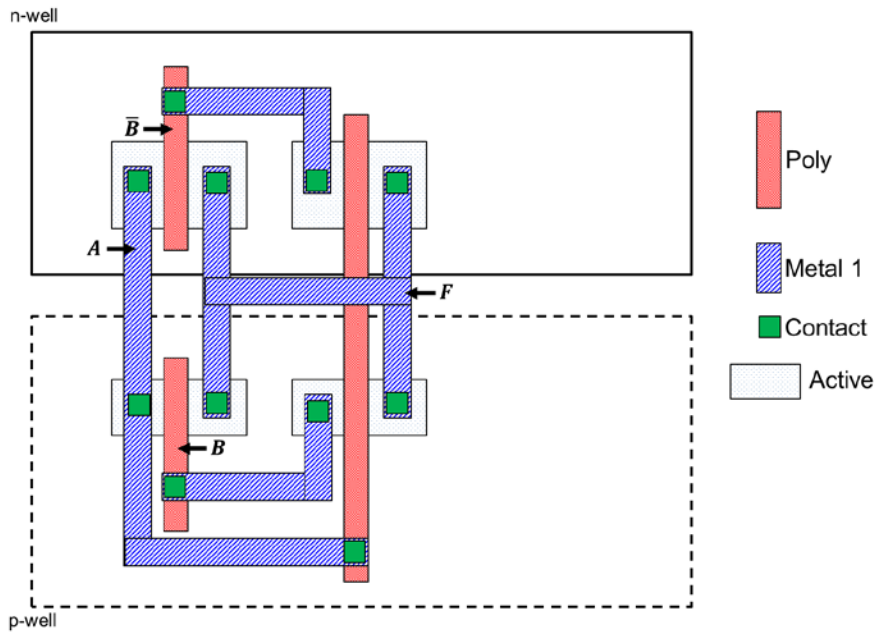
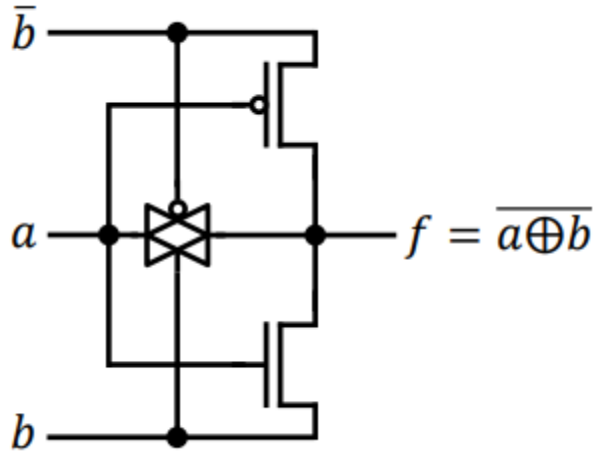


## Homework Assignment 11

(Due 4:10pm, Mar. 9, email to [daehyun@eecs.wsu.edu](mailto:daehyun@eecs.wsu.edu))

- (1) [Layout, 20 points] Draw a layout for the following schematic. You can draw it using the legends shown in Homework 10. Input:  $a$ ,  $b$ ,  $\bar{b}$ . Output:  $f$ .



(2) [Layout, 30 points] Draw a layout for the following schematic. You can draw it using the legends shown in Homework 10. Input:  $D$ ,  $CLK$ ,  $\overline{CLK}$ . Output:  $Q$ ,  $\overline{Q}$ .

